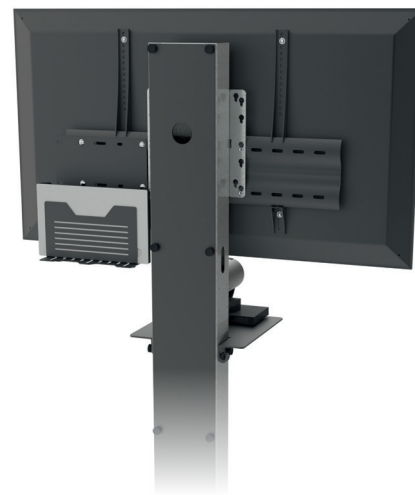




EKINOX single screen is a screen stand for both display and videoconferencing purpose, for a screen from 40" to 70".



CHARACTERISTICS

- Stainless steel base with standard black matte finish on heavy duty castors (diameter 35 mm, ready mounted)
- Brushed stainless steel column with wiring duct for adapters, cables, peripherals with rear cover in black satin plexi and easily accessible via knurled screws. Dimensions (h x w x d): 1700 x 170 x 70 mm
- Screen axis adjustable from 1300 mm to 1700 mm from floor level.
- Universal screen stand 800 x 400 mm (200 x 200 mm, 300 x 300 mm, 400 x 400 mm, 600 x 400 mm, 800 x 400 mm)
- Dimensions (w x d x h) & Weight: 1200 x 650 x 1750mm – 56 Kg
- Maximum screen weight: 79 kg

OPTIONS

- Compact shelf for peripherals and cameras, compatible with all brands with surface area: 300 mm (w) x 230 mm (d) - Ref: AX0011
- Large shelf for peripherals or Codecs with surface area: 450 mm (w) x 300 mm (d) - Ref: AX0012
- Universal camera stand compatible with all leading manufacturers - Ref: Scuv3
- Universal codec holder installed behind the screen Ref : Scuv12

🇫🇷 **Designed & Manufactured in France**

REFERENCES

- EKINOX SE 40/60 (Single Screen)
- EKINOX SE 65/70 (Single Screen)



Artisaparc - Route des digues
14123 Fleury sur Orne

France

Phone
+33 (0) 2 31 28 59 37

Fax
+33 (0) 2 31 28 41 90

Email
corporate@axeos.net

Website
www.axeos.net